



**COLLET
CHUCK**

QD-CRL60 A2-6
quick change direct mount



Key Features

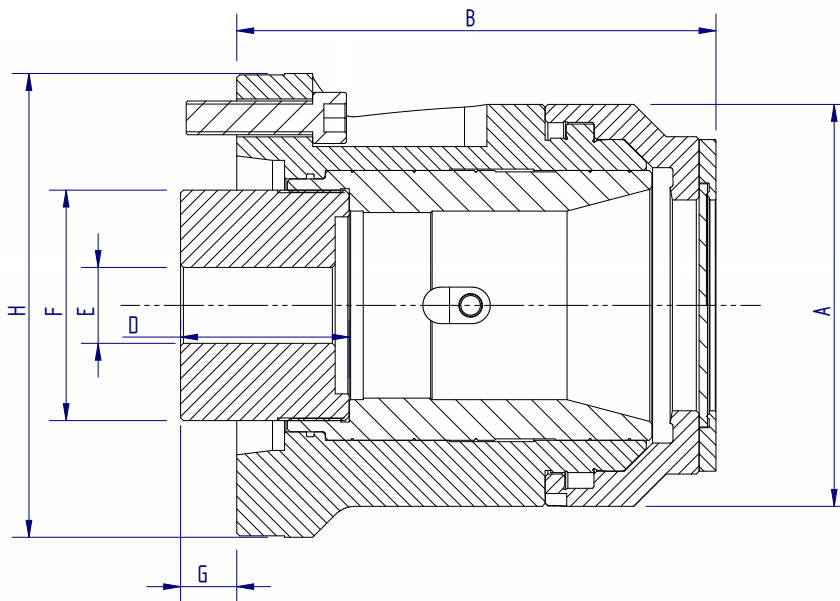
Quick Change Collet Chuck for an A2-6 Spindle nose with 4 - 60mm gripping range and max speed of 6300 rpm.

Max Input Force (kN): 30
 Max Gripping Force (kN): 60
 Weight (kg): 20
 Suitable for M677 multibore and 185E Spring collets.
 Din

Quick change cap with safety lock, ideally suited for barfeed applications.



Collet Chuck



Dimensions	
Mount	A6
A	143
B	170.5
C	N/A
D	60
E max	M75 x 1.5
F	82
G max	27
G min	20
H	165

Description and Specifications:

Gripping Range (mm): 4 - 60
 Collet Increment (mm): 4
 Sleeve Stroke (mm): 7
 Max Input Force (kN): 30
 Max Gripping Force (kN): 60
 Matching Cylinder: S1552