

## GRIPPEX II BAR PULLERS — Automate Any CNC Lathe



**Can be operated  
by either coolant  
or compressed air.**

- The patented Grippex 20L CNC bar puller is actuated by a CNC lathe's coolant system. As coolant is fed through the unit, it pushes a piston forward which causes the fingers to close around the bar stock. When the coolant is turned off, the fingers automatically spring open.
- Self-adjusting mechanism — fingers will close down until they contact the bar stock so no presetting is necessary. This feature allows the Grippex to **make multiple pulls on the same workpiece**, even after the OD has been turned.
- Unit can also be operated by air pressure.
- When fitted with robot gripper jaws, the Grippex can:

- Remove a bar remnant from a bar-fed lathe and drop it into the parts catcher. This eliminates the risk of the remnant falling into the chip conveyor where it can become jammed and cause damage.

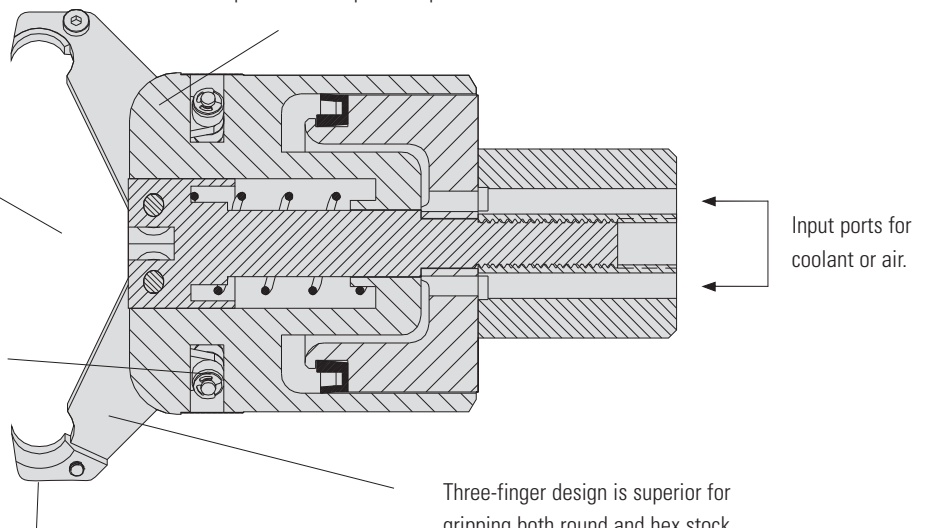
- Remove a finished workpiece from a sub-spindle and place it into the parts catcher. This eliminates the need for unreliable ejectors and also **allows the sub-spindle to swallow longer parts**.

The Grippex has a wide gripping range of  $\frac{1}{8}$ " –  $3\frac{1}{8}$ ". Higher capacity gripping fingers are also available.

Very high gripping force and smooth operation is achieved through a **patented finger mechanism** that pivots on two roller bearings. As little as 15 psi of coolant pressure is enough to enable the Grippex to pull a 210 lb. bar!

Hardened finger inserts reduce wear and help the Grippex penetrate hard materials like stainless steel.

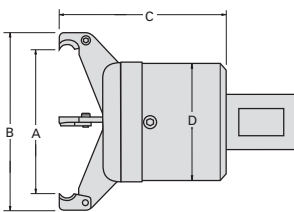
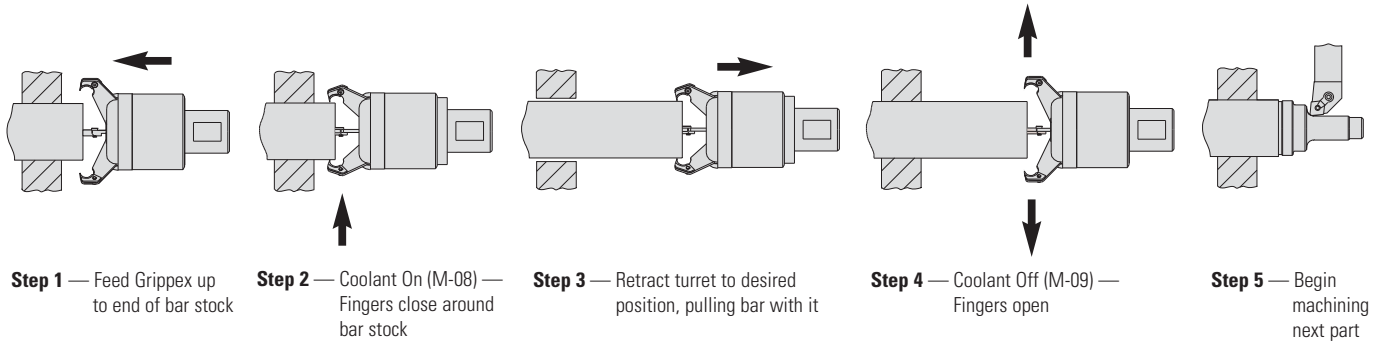
Thick-walled heavy-duty construction helps to protect unit and allows it to be used at coolant pressures of up to 280 psi.



Three-finger design is superior for gripping both round and hex stock. Special two-finger model also available. Contact Royal for information.

# GRIPPEX II

## BAR PULLERS — Automate Any CNC Lathe



Gripping Range	A	B	C	D	L
Large 2-60 mm	64 mm	83 mm	89 mm	68 mm	71 mm
Large 3-80 mm	83 mm	102 mm	94 mm	68 mm	71 mm
Large 7-105 mm	110 mm	129 mm	108 mm	68 mm	71 mm
Small 2-52 mm	54 mm	74 mm	86 mm	59 mm	64 mm
Mini 0-38 gripping	39 mm	52 mm	61.5 mm	44 mm	49.50 mm
Mini 0-38 robot	40 mm	60 mm	70.5 mm	44 mm	49.50 mm



### Grippex II

artikel	opname schacht
GPX-II/D25	Ø 25 mm
GPX-II/D32	Ø 32 mm
GPX-II/D40	Ø 40 mm
GPX-II/VDI30	VDI 30
GPX-II/VDI40	VDI 40



### Grijpervingers

artikel	omschrijving	Capaciteit
GPX-II/F60	gripping fingers	2-60 mm
GPX-II/F80	gripping fingers	3-80 mm
GPX-II/F105	gripping fingers	7-105 mm



insert



robot insert



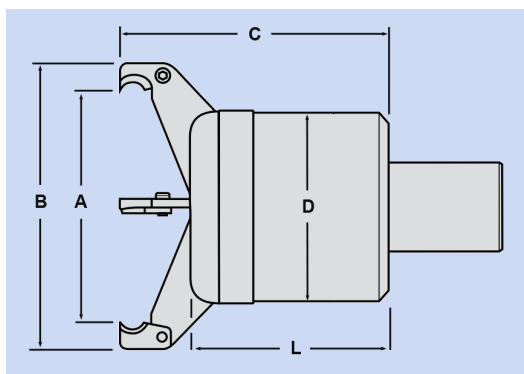
robot jaw

### Inserts voor GPX-II vingers

GPX-II/IF	Insert
GPX-II/RI-P	Robot Insert
GPX-II/RJ *	Robot Jaws *

robot jaw alleen voor grippers van :  
3-80 mm en 7-105 mm

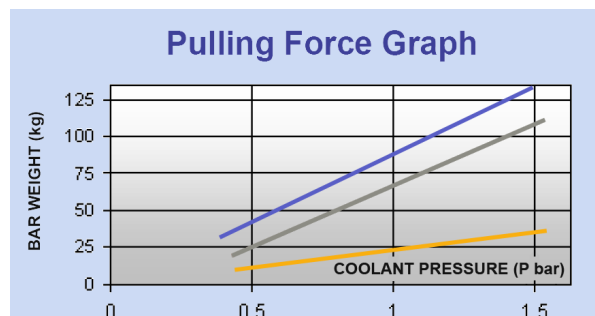
## Specifications



Gripping Range	A	B	C	D	L
Large 2-60 mm	64 mm	83 mm	89 mm	68 mm	71 mm
Large 3-80 mm	83 mm	102 mm	94 mm	68 mm	71 mm
Large 7-105 mm	110 mm	129 mm	108 mm	68 mm	71 mm
Small 2-52 mm	54 mm	74 mm	86 mm	59 mm	64 mm
Mini 0-38 gripping	39 mm	52 mm	61.5 mm	44 mm	49.50 mm
Mini 0-38 robot	40 mm	60 mm	70.5 mm	44 mm	49.50 mm

\* VDI 20 for Mini and VDI 30 for Large the length L and C are + 11.80 mm

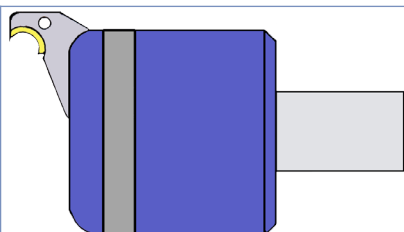
\* VDI 40 for Large the length L and C are + 12.80 mm



The graph shows the max. allowable weight of a mild steel bar to be pulled at a coefficient of friction valued  $<0.2$

- - Grippex Large max pressure 20 bar
- - Grippex Small max pressure 15 bar
- - Grippex Mini max pressure 7 bar

### Grippex Large



#### Shanks

- Straight  $\varnothing 25$ ,  $\varnothing 32$ ,  $\varnothing 40$  mm
- VDI 30, VDI 40

#### Gripping fingers

- 2-60 mm
- 3-80 mm
- 7-105 mm

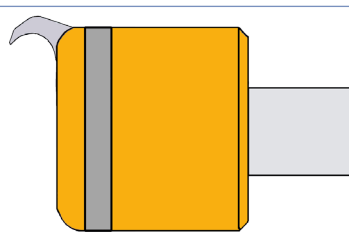
#### Inserts

- Gripping Inserts (IF)

#### Option Inserts

- Robot Inserts (RI)
- Robot Jaws (RJ) for 3-80 mm

### Grippex Small



#### Shanks

- Straight  $\varnothing 20$ ,  $\varnothing 25$ ,  $\varnothing 32$  mm
- VDI 20, VDI 30

#### Gripping fingers

- 2-52 mm

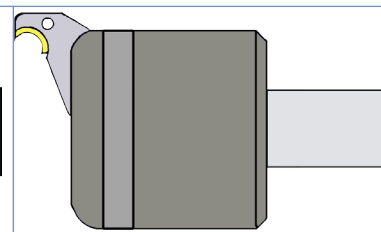
#### Inserts

- Gripping Inserts (IF)

#### Option Inserts

- Robot Inserts (RI)

### Grippex Mini



#### Shanks

- Straight  $\varnothing 16$ ,  $\varnothing 20$ ,  $\varnothing 25$  mm
- VDI 16, VDI 20

#### Gripping fingers

- 0-38 mm (with gripping fingers)
- 0-38 mm (with robot fingers)

#### Option Inserts

- Robot Jaws (RJ-M) for robot fingers